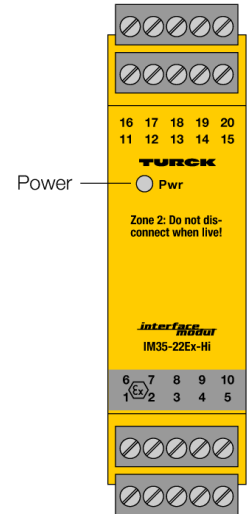
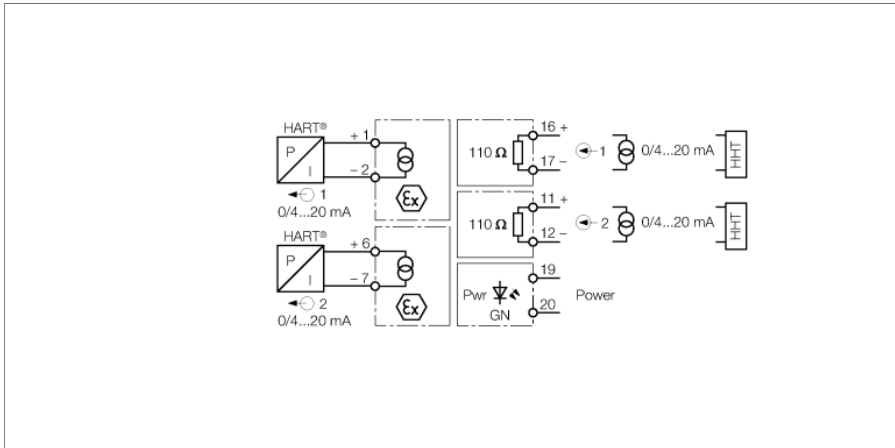


**Analog Signal Isolator  
2-channel  
IM35-22EX-HI**



The 2-channel IM35-22EX-HI signal isolator is designed to transmit the normalized current signal galvanically isolated 1:1 from the non-Ex area to the Ex-area. In addition to the analog signal, also digital HART® communication signals can be transmitted bidirectionally.

Typical applications are for example, the control of I/P converters (at control valves for example) or indicators in the Ex-area.

The actuators are connected to the output terminals 1/2 and 6/7. Handheld terminals [HHT] can be connected to the output and input terminals 16/17 and 11/12.

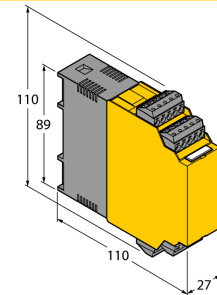
In addition, the removable terminal blocks are equipped with 2 mm test sockets for signal control.

- ATEX, TR CU
- Installation in zone 2
- Intelligent actuators supplied via HART® communication interface
- Input circuits: 0/4...20 mA
- Output circuits: 0/4...20 mA, intrinsically-safe
- Universal operating voltage
- Complete galvanic isolation
- Input reverse-polarity protected

**Analog Signal Isolator  
2-channel  
IM35-22EX-HI**

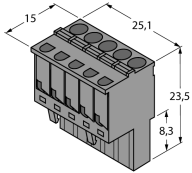
|  |  |
|--|--|
| <b>Type designation</b>  | IM35-22EX-HI   |
| Ident-No.  | 7506518  |
| <b>Nominal voltage</b>   | Universal voltage supply unit  |
| Operating voltage  | 20...250 VAC   |
| Frequency  | 40...70 Hz   |
| Operating voltage range  | 20...125 VDC   |
| Power consumption  | ≤ 2.7 W  |
| <b>Input current</b>   | 0/4...20 mA  |
| Input resistance (current)   | ≤ 110 Ω  |
| <b>Output circuits</b>   |  |
| Output current   | 0/4...20 mA  |
| Load resistance, current output  | ≤ 0.6 kΩ   |
| <b>Rise time (10...90 %)</b>   | ≤ 90 ms  |
| Fall time (90...10 %)  | ≤ 90 ms  |
| Measuring accuracy (including linearity, hysteresis and repeatability) | ≤ 0.1 % of full scale  |
| Reference temperature  | 23 °C  |
| Temperature drift  | ≤ 0.005 % of full scale/K  |
| <b>Galvanic isolation</b>  |  |
| Test voltage   | 2.5 kV   |
| <b>Important note</b>  | For Ex-applications the values specified in the corresponding Ex certificates (ATEX, IECEx, UL, etc.) apply. |
| Ex approval acc. to conformity certificate                             | IBExU 08 ATEX 1130   |
| Application area   | II (1) G, II (1) D   |
| Ignition protection category   | [Ex ia Ga] IIC; [Ex ia Da] IIIC  |
| Ex approval acc. to conformity certificate                             | IBEXU 08 ATEX B020 X   |
| Application area   | II 3 G   |
| Ignition protection type   | Ex nA [jc Gc] IIC T4 Gc  |
| Characteristic   | trapezoidal  |
| <b>Indication</b>  |  |
| Operational readiness  | green  |
| <b>Protection class</b>  | IP20   |
| Flammability class acc. to UL 94                                       | V-0  |
| Ambient temperature  | -25...+70 °C   |
| Storage temperature  | -40...+80 °C   |
| Dimensions   | 110 x 27 x 110 mm  |
| Weight   | 201 g  |
| Mounting instructions  | DIN rail (NS35) or panel   |
| Housing material   | Polycarbonate/ABS  |
| Electrical connection  | 4 × 5-pin removable terminal blocks with test socket, reverse polarity protected, screw terminal             |
| Terminal cross-section   | 1 × 2.5 mm <sup>2</sup> / 2 × 1.5 mm <sup>2</sup>  |
| Tightening torque  | 0.5 Nm   |

**Dimensions**



**Analog Signal Isolator  
2-channel  
IM35-22EX-HI**

**Accessories**

| Type code       | Ident-No. | Description  |   |
|-----------------|-----------|--|---|
| IM-CC-5X2BU/2BK | 7504031   | Cage clamp terminals for IM modules (Ex-devices with 27 mm overall width); includes: 2 pcs. 5-pin blue terminals and 2 pcs. 5-pin black terminals. |  |